



247INK TECHNICAL SHEET

REFILL INSTRUCTIONS

Please read these instructions carefully before using your Inkjet Cartridge Refill Kit. Select the model of your printer from one of the pages shown.

GENERAL INFORMATION

Cyan = Blue, Magenta = Red/Pink, Yellow = Yellow,

Light Cyan / Photo Cyan = Light Blue, Light Magenta / Photo Magenta = Light Red/Pink.

Our simple to use refill kit, if used correctly, should provide top quality printed output & give you HUGE SAVINGS over the cost of buying a new cartridge.

Before you start:

- Read the instructions carefully.
- Work over a sink or a surface covered in layers of newspaper (just in case).
- Only re-fill a cartridge that has just run out ~ generally, old dried out cartridges do not fill successfully.
- Even 30 minutes can ruin a cartridge if it dries out!
- Have your printer manual handy for instructions on inserting a “new” cartridge.
- Empty cartridges left for more than 2 days do not always give a successful refill.
- Always refill the cartridge as soon as the warning sign is shown.
- A leaking cartridge can damage your printer. Do not place a cartridge into your printer that is leaking.
- Change your cartridge after every 5 refills, if you do not, quality of printing will deteriorate noticeably.

THE SUPPLIER CANNOT BE HELD RESPONSIBLE FOR ANY DAMAGE CAUSED BY IMPROPER USE, OR FAILURE

PLEASE NOTE: Because of the lifecycle of inkjet printers and the speed with which manufacturers are bringing out new models, your printer/cartridge may not be listed. Please find the closest cartridge to yours and follow those instructions – for colour cartridges make sure you push a cocktail stick, cotton bud or something similar into the filling hole before injecting ink to determine which colour to inject. Injecting the wrong colour will render the cartridge useless!

KEEP OUT OF REACH OF CHILDREN AND PETS!



247INK TECHNICAL SHEET

TABLE OF CONTENTS

XEROX INKJET CARTRIDGES

<i>CARTRIDGE CODE</i>	<i>PAGE</i>
8R7994 - 8R7660, 8R7661 - 8R7662 - 8R7663	3
8R12728 - 8R7972 - 8R7973 - 8R7974	3
8R7880 - 8R7883	4
8R7881	4



247INK TECHNICAL SHEET

8R7994 - 8R7660

8R7661 - 8R7662 - 8R7663

1. With the drill bit supplied, make a 3mm filling hole above the ink reservoir (see diagram). **IMPORTANT – DO NOT DRILL INTO THE SECTION CONTAINING THE SPONGE.**

2. **SLOWLY** inject ink into the filling hole until the reservoir is almost full.

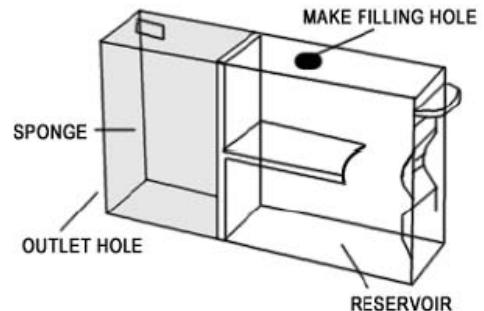
3. Seal the hole with the plug provided. If the plug seal is not airtight then secure and seal plug with strong adhesive tape.

THIS SEAL MUST BE AIRTIGHT, IF NOT THE CARTRIDGE WILL LEAK

4. Leave the cartridge to stand on a protective, non-absorbent surface overnight to prevent leakage.

5. Install cartridge in printer and run a priming cycle as per printer instructions.

IMPORTANT – For best results, cartridge should be refilled whilst some ink remains. Empty cartridges should be refilled immediately. This work is best done over the sink.



8R12728 - 8R7972 - 8R7973 - 8R7974

1. With the drill bit supplied, make a 3mm filling hole above the ink reservoir. (See diagram above) **IMPORTANT – DO NOT DRILL INTO THE SECTION CONTAINING THE SPONGE.**

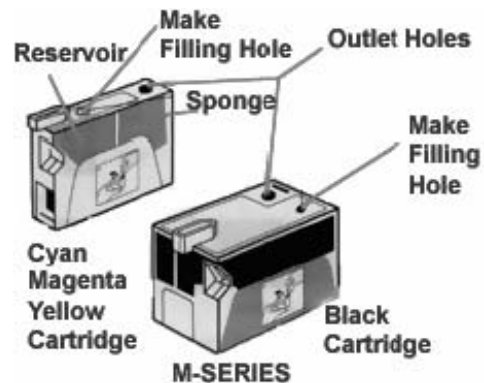
2. **SLOWLY** inject ink into the filling hole until the reservoir is almost full.

3. Seal the hole with the plug provided. If the plug seal is not airtight then secure and seal plug with strong adhesive tape. **THIS SEAL MUST BE AIRTIGHT, IF NOT THE CARTRIDGE WILL LEAK.**

4. Leave cartridge to stand on a protective, non-absorbent surface overnight to prevent leakage and give the ink time to fully saturate the sponge.

5. Install cartridge in printer and run a priming cycle as per printer instructions. **NOTE – DO NOT cover, remove or damage the bar code on the cartridge.**

IMPORTANT – For best results, cartridge should be refilled whilst some ink remains. Empty cartridges should be refilled immediately. This work is best done over the sink.

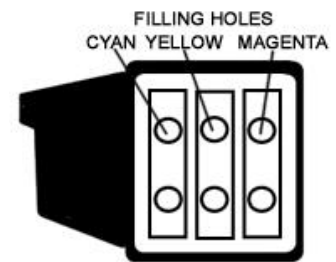




247INK TECHNICAL SHEET

8R7880 - 8R7883

1. To locate the filler hole of the cartridge you must remove the plastic cover. This cover must be removed before refilling by carefully prying it off with a thin metal blade, such as a penknife or gently clamp the cartridge bottom in a vice or similar device. Grab the top with a large wrench or set of pliers and crack off the top. This will likely break some plastic, but this is generally cosmetic damage. Important: Make certain not to damage the sensors on the back of the cartridge.



2. Attach the needle to the syringe and fill with the correct colour ink.

3. Insert the filling needle into the corresponding filler hole of the colour to be refilled, (see diagram above) and push as far down into the cartridge. Note: You may feel a slight pressure because the cartridge contains a sponge. (8R7883 Photo Cartridge - Push toothpick into each chamber to determine colour.)

4. Inject approximately 8 ml. of ink s-l-o-w-l-y or until the sponge is soaked.

Important: The sponge inside is white. And in order to prevent overfilling the cartridge, do not change the colour of the sponge to the colour you are filling. When the ink just begins to surface where the needle is inserted, stop filling, the cartridge is full.

5. After refilling, the top can be refitted and fixed with adhesive tape. Xerox8R7880clr.JPG (7376 bytes)

6. Replace the cartridge and run 1 - 3 cleaning cycles as per printer instructions. For best results, leave cartridge in printer for 8 hours after refilling so the ink can saturate the entire sponge. (Allows ink to flow to the print head).

IMPORTANT – For best results, cartridge should be refilled whilst some ink remains. Empty cartridges should be refilled immediately. This work is best done over the sink.

8R7881

Black Cartridges

1. Using the Thumb Drill included enlarge the filling hole on the top of the cartridge. (Do not remove the cap).

2. Fill the syringe with ink, insert the filling needle into the filling hole and push as far down into the cartridge as it will go. Inject approximately 15cc. of ink SLOWLY, or until the reservoir is full.

3. Set above a paper towel for half an hour as a drip precaution. Expect a few drips. Do not allow the cartridge to touch the paper towel at this point, since the towel will draw out the ink.

4. Replace the cartridge and run 1 - 3 cleaning cycles as per printer instructions.

IMPORTANT – For best results, cartridge should be refilled whilst some ink remains. Empty cartridges should be refilled immediately. This work is best done over the sink.

